

Product Card

Socket outlet, Schuko, 2-gang, shuttered, screwless terminals, branching terminals, flat, black matt



Socket outlet

Socket outlet, Schuko, 2-gang, shuttered, screwless terminals, branching terminals, flat, black matt

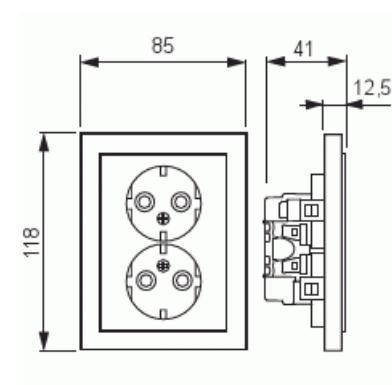
Type: 302EUJT-885

GTIN: 6438199005348



IP21

There are terminals for each contact of the socket outlet for max 4 rigid wires. No X-terminals. The socket outlet insert without the cover plate is screen-protected. Wery flat construction. Installatin in special 1,5X mounting box.



Technical specification

General Information

Product ID: 2TKA00003863

Electrical quantities

Rated current: 16 A

Classification

Enclosure class: IP21

Packing

Package: 1/10/100/1200

Unit: PCS

Product Card

Socket outlet, Schuko, 2-gang, shuttered, screwless terminals, branching terminals, flat, black matt



ETIM Data

Model:	Protective contact (type F)
Protective contact:	Yes
Protective earth pin round:	No
With signal lamp:	No
With built-in USB power supply:	No
Number of units:	2
Number of modules (module system):	1
Number of phases:	1
Connection type:	Push-in clamp
With hinged lid:	No
With enhanced contact protection:	Yes
Label space/information surface:	No
Colour:	Black
RAL-number (similar):	9005
Metallic colour:	No
Transparent:	No
Lockable:	No
Eject-mechanism:	No
Insulated mounting:	Yes
With function lighting:	No
With orientation lighting:	No
Over voltage protection:	No
Fault current protection:	No
With miniature fuse:	No
Special power supply:	No special power supply
Mounting method:	Flush mounted (plaster)
Type of fastening:	Mounting with screw
Material:	Plastic
Material quality:	Thermoplastic
Halogen free:	Yes
Surface protection:	Lacquered
Surface finishing:	Matt

Product Card

Socket outlet, Schuko, 2-gang, shuttered, screwless terminals, branching terminals, flat, black matt



Anti-bacterial treatment:	No
With on/off switch:	No
With loop through function:	No
Rotated central insert:	No
Nominal current:	16 A
Nominal voltage:	250 V
Frequency:	50 Hz
Suitable for degree of protection (IP):	IP21
Device width:	120 mm
Device height:	80 mm
Device depth:	40 mm
Min. depth of built-in installation box:	17 mm