

Product Card

Socket outlet, IP44, Schuko, 1-gang with RCD (30mA), shuttered, extendable, flush mounting



Socket outlet SRCD, IP44

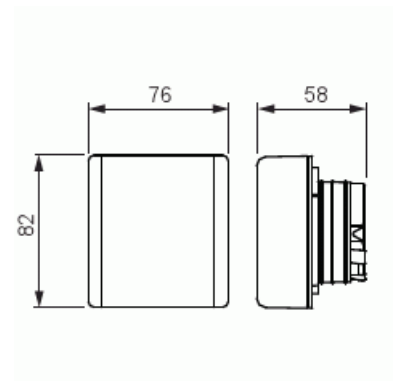
Socket outlet, IP44, Schuko, 1-gang with RCD (30mA), shuttered, extendable, flush mounting

Type: 3120EUG-44

GTIN: 7612271473884



Socket residual current device with a rated current of 16 A and a rated residual current of 30mA.



Technical specification

General Information

Product ID: 2CCF019496R0001

Packing

Package: 1/10

Unit: PCS

ETIM Data

Number of active pins (round): 2

With signal lamp: No

Number of units: 1

Number of phases: 1

Product Card

Socket outlet, IP44, Schuko, 1-gang with RCD (30mA), shuttered, extendable, flush mounting



Imprint/indication:	None
Connection type:	Push-in clamp
With hinged lid:	No
With enhanced contact protection:	Yes
Label space/information surface:	No
Colour:	White
RAL-number (similar):	9010
Transparent:	No
Lockable:	No
Eject-mechanism:	No
Insulated mounting:	No
With function lighting:	No
With orientation lighting:	No
Over voltage protection:	No
Fault current protection:	Yes
With miniature fuse:	No
Special power supply:	No special power supply
Mounting method:	Flush mounted (plaster)
Type of fastening:	Mounting with claw and screw
Material:	Plastic
Material quality:	Thermoplastic
Halogen free:	Yes
Surface protection:	Untreated
Surface finishing:	Glossy
Anti-bacterial treatment:	No
With loop through function:	Yes
With on/off switch:	No
Rotated central insert:	No
Nominal current:	16 A
Nominal voltage:	230 V
Frequency:	50...60 Hz
Rated fault current:	30 mA
Suitable for degree of protection (IP):	IP44

Product Card

Socket outlet, IP44, Schuko, 1-gang with RCD (30mA), shuttered, extendable, flush mounting



Device width:	77 mm
Device height:	83 mm
Device depth:	59 mm
Min. depth of built-in installation box:	40 mm