

Product Card

Switch rocker, Jussi, 1-gang, clip-on fastening



Switch rocker

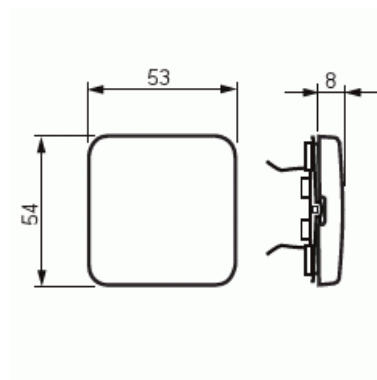
Switch rocker, Jussi, 1-gang, clip-on fastening

Type: 2506-212

GTIN: 6410021061357



Jussi-rocker for Jussi and Impressivo Jussi-switches and push switches, clip-on fastening.



Technical specification

General Information

Product ID: 2TKA000774G1

Classification

Protection class: IP21

Packing

Package: 20/200

Unit: PCS

ETIM Data

Model: Single rocker

© ABB 2024

Business ID 0763403-0

www.installationmaterials.com

Customer service

puh. +358 10 222 1999

contact.center@fi.abb.com

ABB Exchange

+358 10 22 11

Product Card

Switch rocker, Jussi, 1-gang, clip-on fastening



Imprint/indication:	None
Scannable symbol/barrier free:	No
Utilization:	Switch/push button
Suitable for touch sensor connector for bus system:	No
Type of fastening:	Clamp mounting
Monitoring window/light outlet:	No
Material:	Plastic
Material quality:	Thermoplastic
Halogen free:	Yes
Surface protection:	Other
Surface finishing:	Matt
Anti-bacterial treatment:	No
Colour:	White
RAL-number (similar):	9010
With label area:	No
With exchangeable lens/symbol:	No
Suitable for degree of protection (IP):	IP20
Impact strength:	IK00
Width:	54 mm
Height:	25 mm
Depth:	54 mm