

## Product Card

Adapter for DKS-system, 2 x RJ45, AMP



# Adapter

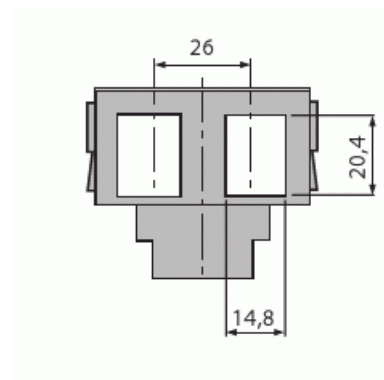
Adapter for DKS-system, 2 x RJ45, AMP

**Type:** 1875EB

**GTIN:** 4011395776902



The adapters 18xxEB and the center plates 1758-xx form the DKS-system. You can use the DKS-system to fix many kinds of tele-connectors to Impressivo- or Jussi-series.



## Technical specification

### General Information

Product ID:	2TKA000624G1
-------------	--------------

### Packing

Package:	10/100
Unit:	PCS

### ETIM Data

Assembly arrangement:	Control element
Utilization:	Modular Jack
Support ring:	No
With dust cover:	No
With hinged lid:	No
Imprintable label:	Without indication field
With imprint:	No
Mounting method:	Flush mounted (plaster)
Material:	Plastic

# Product Card

Adapter for DKS-system, 2 x RJ45, AMP



Material quality:	Thermoplastic
Halogen free:	Yes
Surface protection:	Untreated
Surface finishing:	Matt
Colour:	Anthracite
RAL-number (similar):	7021
Transparent:	No
Type of fastening:	Other
With strain relief:	No
Luster terminal:	No
Suitable for degree of protection (IP):	IP20