

Tele outlet

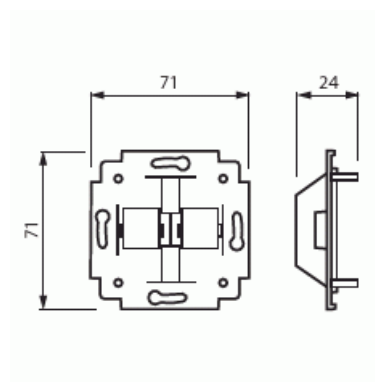
Supporting frame insert for 2xRJ45, Actassi

Type: 1819.03

GTIN: 6418677330469



Telet outlet for two Actassi RJ45 connectors. Compatible with the center plates 1819-xx.



Technical specification

General Information

Product ID:	2TKA000601G1
-------------	--------------

Packing

Package:	10/100
Unit:	PCS

ETIM Data

Assembly arrangement:	Basic element
Utilization:	Modular Jack
Support ring:	No
With dust cover:	No

Product Card

Supporting frame insert for 2xRJ45, Actassi



With hinged lid:	No
Outlet direction:	Straight
Imprintable label:	Without indication field
With imprint:	No
Mounting method:	Flush mounted (plaster)
Material:	Plastic
Material quality:	Thermoplastic
Halogen free:	Yes
Anti-bacterial treatment:	No
Surface protection:	Untreated
Surface finishing:	Glossy
Colour:	White
RAL-number (similar):	9010
Transparent:	No
Type of fastening:	Mounting with screw
With buses/couplings:	No
Suitable for number of connectors:	2
With strain relief:	No
Shielded buses:	No
Shielded housing:	No
Luster terminal:	No
With lighting:	No
Suitable for degree of protection (IP):	IP20
Impact strength:	IK00
Device width:	70 mm
Device height:	70 mm
Device depth:	24 mm
Min. depth of built-in installation box:	12 mm