

Product Card

Switch rocker, Impressivo, 1-gang, red lens, "1/0" symbol, anthracite



Switch rocker

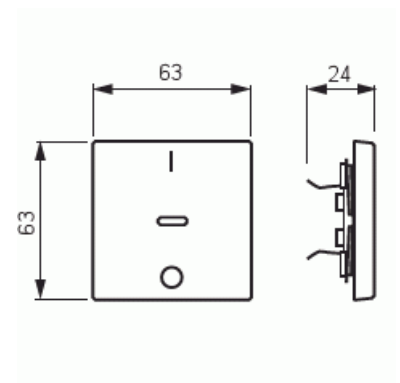
Switch rocker, Impressivo, 1-gang, red lens, "1/0" symbol, anthracite

Type: 1788-81

GTIN: 4011395056035



1-gang switch rocker, that only fits to switch inserts 1062.xx and 1063.xx. Can be installed in dry indoor spaces. When flush mounted into humid spaces or outdoors a seal kit and screw fastening of the rocker frame must be used. Manufactured from a durable high quality plastic material. The surface is glossy and easy to keep clean. Cleaning with a mild, standard household detergent. Be careful when cleaning with a powerful dissolvent.



Technical specification

General Information

Product ID: 2TKA000549G1

Packing

Package: 1/10/100/2800

Unit: PCS

ETIM Data

Model: Single rocker

Scannable symbol/barrier free: No

Utilization: Switch/push button

Suitable for touch sensor connector for bus system: No

Product Card

Switch rocker, Impressivo, 1-gang, red lens, "1/0" symbol, anthracite



Type of fastening:	Clamp mounting
Monitoring window/light outlet:	Yes
Material:	Plastic
Material quality:	Thermoplastic
Halogen free:	Yes
Surface protection:	Untreated
Surface finishing:	Glossy
Anti-bacterial treatment:	No
Colour:	Anthracite
RAL-number (similar):	7021
With label area:	No
With exchangeable lens/symbol:	No
Suitable for degree of protection (IP):	IP20
Impact strength:	IK03
Width:	63 mm
Height:	63 mm
Depth:	20 mm