

## Product Card

2-gang 1-way switch insert, 16AX/250V, 2 X-terminals, no lamp possibility



# Switch insert

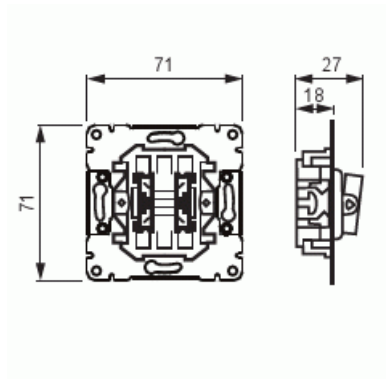
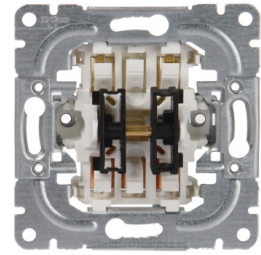
2-gang 1-way switch insert, 16AX/250V, 2 X-terminals, no lamp possibility

**Type:** 1065.20

**GTIN:** 6418677328756



5-rocker switch insert without rockers. Rockers 1785-xx and 1785JA-xx are suitable for the insert. The switch has 2 X-terminals. The X-terminals can be used for extending other wires. No signal light possibility.



## Technical specification

### General Information

Product ID: 2TKA000158G1

### Electrical quantities

Rated current: 16 AX

Rated voltage: 250 V

### Classification

Enclosure class: IP20

# Product Card

2-gang 1-way switch insert, 16AX/250V, 2 X-terminals, no lamp possibility



## Packing

Package:	10/100
Unit:	PCS

## ETIM Data

Wiring system:	Series switch
Method of operation:	Rocker/button
Assembly arrangement:	Basic element with full cover plate
Push button switch:	No
Number of rockers:	2
Mounting method:	Flush mounted (plaster)
Type of fastening:	Mounting with claw and screw
With mounting plate:	No
Material:	Plastic
Material quality:	Thermoplastic
Halogen free:	Yes
Anti-bacterial treatment:	No
Surface protection:	Untreated
Surface finishing:	Matt
Colour:	White
RAL-number (similar):	9010
Label space/information surface:	No
Illumination:	No
Suitable for degree of protection (IP):	IP21
Nominal voltage:	250 V
Rated current:	16 A
Switching current for fluorescent lamps:	16 AX
Feedback-signal contact:	No
Washing machine switch:	No
Device width:	85 mm
Device height:	35 mm
Device depth:	85 mm
Built-in depth:	18 mm

## Product Card

2-gang 1-way switch insert, 16AX/250V, 2 X-terminals, no lamp possibility



Min. depth of built-in installation box:

18 mm

---