

Product Card

Switch insert, 16AX/250V, 2-pole, 2 X-terminals, lamp possibility



Switch insert

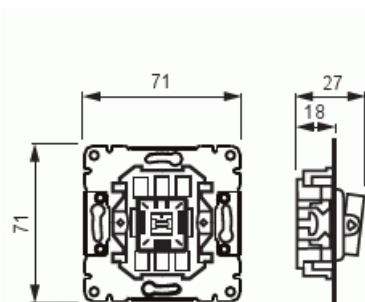
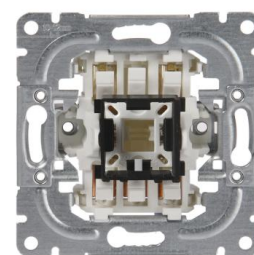
Switch insert, 16AX/250V, 2-pole, 2 X-terminals, lamp possibility

Type: 1062.21

GTIN: 6418677328633



Control switch insert without rocker. All 1-gang rockers fit to the insert, but in control switch use the rocker 1788-xx must be used. The switch insert has separate circuit-breakers for the N- and L-wires and 2 X-terminals. The X-terminals can be used for extending other wires. The signal light can only be set as a search- or signal light, but in control use it must be set as a signal light.



Technical specification

General Information

Product ID: 2TKA000130G1

Electrical quantities

Rated current: 16 AX

Rated voltage: 250 V

Classification

Enclosure class: IP20

Product Card

Switch insert, 16AX/250V, 2-pole, 2 X-terminals, lamp possibility



Packing

Package:	10/100
Unit:	PCS

ETIM Data

Wiring system:	Off switch 3x1-pole
Method of operation:	Rocker/button
Assembly arrangement:	Basic element with central cover plate
Push button switch:	No
Number of rockers:	3
Mounting method:	Flush mounted (plaster)
Type of fastening:	Screw mounting
With mounting plate:	No
Material:	Plastic
Material quality:	Thermoplastic
Halogen free:	Yes
Anti-bacterial treatment:	No
Surface protection:	Untreated
Surface finishing:	Matt
Colour:	White
RAL-number (similar):	9016
Label space/information surface:	No
Illumination:	No
Suitable for degree of protection (IP):	IP21
Nominal voltage:	250 V
Rated current:	16 A
Switching current for fluorescent lamps:	16 AX
Feedback-signal contact:	No
Connection type:	Other
Washing machine switch:	No
Device width:	70 mm
Device height:	40 mm
Device depth:	70 mm

Product Card

Switch insert, 16AX/250V, 2-pole, 2 X-terminals, lamp possibility



Built-in depth:	18 mm
Min. depth of built-in installation box:	18 mm
